

## LYNX L15 Handheld Thermal Monocular Camera



HikMicro L15 handheld thermal monocular camera is equipped with a  $384 \times 288$  infrared detector and a  $720 \times 540$  LCOS display. It supports functions of observation, distance measurement, Wi-Fi hot spot, and so on. The high-sensitivity built-in thermal detector provides you with clear view even in total darkness. The monocular is mainly applied to scenarios such as patrolling, searching and rescuing, hiking, travel, and hunting, etc.

### Key Features

- $384 \times 288$  resolution, high sensitivity detector
- Adaptive AGC, DDE, 3D DNR, NETD less than  $35 \text{ mK}$  (@ $25 \text{ }^\circ\text{C}$ ),  $F\#=1.0$
- $720 \times 540$  resolution 0.2-inch LCOS display
- Built-in rechargeable lithium battery
- More than seven hours continuous running (with Wi-Fi hot spot function off)
- Wi-Fi hot spot
- Type-C Interface

## Specification

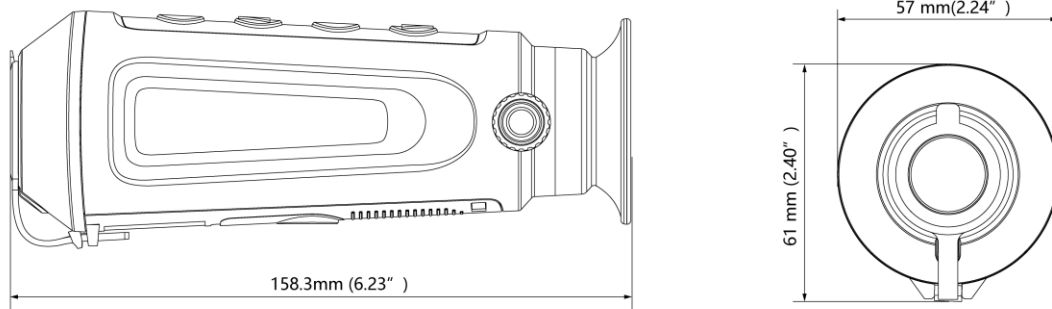
### ▪ Specification

<b>Thermal Module</b>	
Image Sensor	VOx Uncooled Focal Plane Arrays
Resolution	384 × 288
Frame Frequency	50 Hz
Pixel Interval	17 μm
Response Waveband	8 μm to 14 μm
NETD	Less than 35 mK (@25°C), F#=1.1
Focal Length	15 mm
IFOV	1.13 mrad
Field of View	24.6° × 18.5° (H × V)
Aperture	F1.0
<b>Image Display</b>	
Monitor	0.2 inch, LCOS, 720 × 540
Palettes	Black Hot, White Hot, Red Hot, Fusion
Uniformity Correction	Auto, Manual, External Correction
Digital Zoom	1×, 2×, 4×, 8×
<b>Smart Function</b>	
Hot Track	Yes
Distance Measurement	Yes
Detection Range	529 m
<b>System</b>	
Storage	Built-in memory module (8 GB)
Record Video	Yes
Capture Snapshot	Yes
Wi-Fi	Yes
Standby Mode	Yes
<b>Power Supply</b>	
Battery Type	Rechargeable Lithium Battery
Battery Operating Time	7 hours continuous running with Wi-Fi hot spot function off (@25 °C) 5.5 hours continuous running with Wi-Fi hot spot function on (@25 °C)
Battery Capacity Display	Yes
<b>General</b>	
Power	5 VDC/2 A, 1.5 W, Type-C Interface
Work Temperature/Humidity	From -20 °C to 55 °C (-4 °F to 131 °F); Humidity: 90% or Less
Protection Level	IP67
Dimension	158.3 mm × 61 mm × 57 mm (6.23" × 2.40" × 2.24")
Weight	270 g (0.60 lb)

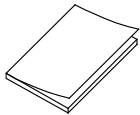
## Available Model

HM-TS03-15XF/W-L15

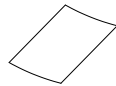
## Dimension



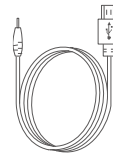
## Accessory



Quick Start Guide  
(x1)



Non-dust Cloth (x1)



USB Cable (x1)



Protective Bag (x1)



Wrist Strap (x1)